



Ball and spring for control elements, stainless steel

SPRING

AISI 302 stainless steel.

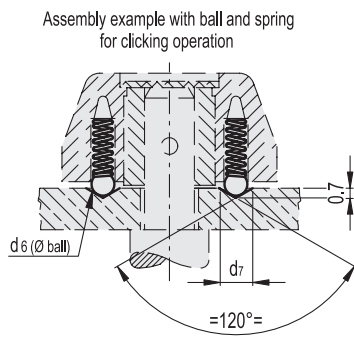
BALL

AISI 420 stainless steel.

FEATURES AND APPLICATIONS

MS. group is indicated for fitting on the following operating and control knobs where clicking operation is required:

- IZN.380 (see page 606)
- EGK.SOFT (see page 615)
- LBR (see page 628)
- LBR-N (see page 628)
- ELC (see page 630)
- ELCR. (see page 632)



STAINLESS STEEL

Code	Description	d6	d7 - 0.3
35001	MS.D3	3	2
35051	MS.D4	4	3.0
35101	MS.D5	5	4.0
35201	MS.D6	6	5.5
35301	MS.D8	8	7.0
35401	MS.D10	10	8.5